

# INSTALLATION INSTRUCTIONS

## EFW - Large Fan Wall Heater

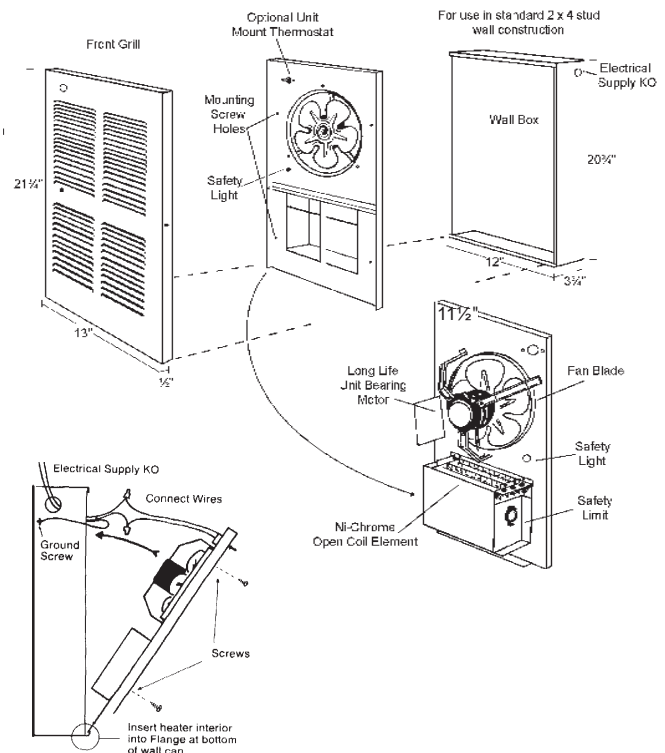
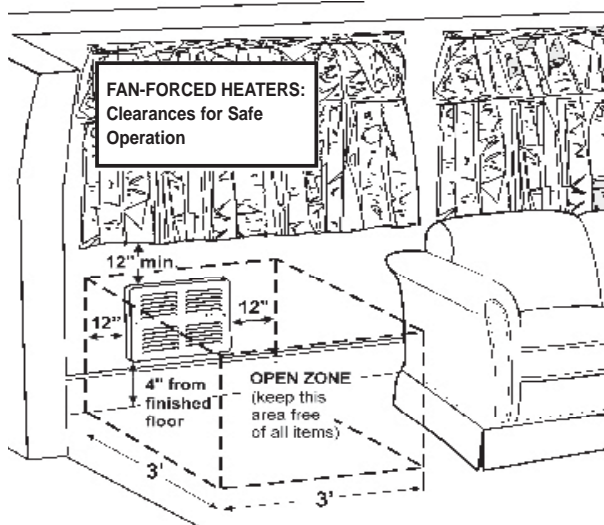


**ATTENTION:** Before attempting to install your heater verify that the power supply wires are the same voltage as the heater being installed. **240 and 120 Volt heaters are not interchangeable.** Connecting a 240 Volt heater to a 120 Volt circuit will reduce the wattage 75% and cause the motor to rotate slowly, significantly reducing airflow. Connecting a 120 Volt heater to a 240 Volt circuit will destroy the heater, void all warranties and could cause fire damage.

**WARNING:** Turn off power source to the heater before attempting installation, maintenance or repairs. Lock, tape or tag circuit breaker or fuse so that power cannot be turned on by accident. Failure to do so could result in personal injury.

1. After removing the heater from the carton check to make sure the heater has not been damaged in shipment.
2. Remove the grill by loosening and removing the four screws on the side of the front panel.
3. Detach the interior from the wall can by removing the four screws along each side of the interior. Remove the interior by tilting it away from the wall can to release the bottom edge.
4. Remove one 7/8" knockout and feed the supply wire into the wall box using an approved electrical fitting to prevent chafing of the supply wires.
5. Install the wall can a minimum of 6" from vertical side walls or open edge of door and 10" above the floor.
6. Secure the wall box to 2x4 studs using the holes provided in the sides of the box. The face of the wall box should be flush with the finished wall.
7. Make electrical connections per the wiring diagram. Supply wires L1 and L2 can be connected to the red or black wires on the heater - the order does not matter. Attach the field groundwire to the green screw or pigtail. When installing a built-in thermostat red always connects to the supply wires and black to the heater.
8. Install interior by placing the bottom edge in the wall can and tilting it in toward the wall. Be sure to clear the electrical wires on the side of the interior. Fasten the interior and then the grill with the screws provided.
9. The installation is now complete and the heater is ready to be energized for use.

**SAFETY LIGHT:** This heater includes a visual alarm to warn that parts of the heater are getting excessively hot. If the alarm flashes, immediately turn the heater off and inspect for any objects on or adjacent to the heater that may cause high temperatures. **Do not operate the heater with the alarm flashing.**



EFW.indd : 4/08

# INSTALLATION INSTRUCTIONS

## SELECTION CHART

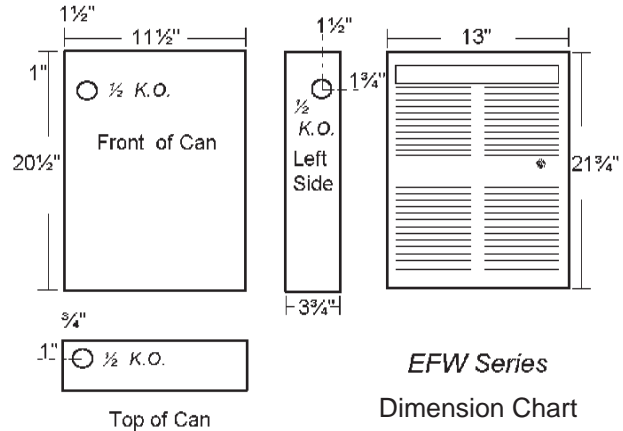
CATALOG No.	VOLTS	WATTAGE	AMPS
EFW1220	120	2000	16.6
EFW1224		2400	20
EFW1230		3000	25
EFW2020 2420	208	2000	9.6
EFW2030 2430	240	3000	14.4
EFW2040 2440		4000	19.2

## Maintenance & Warranty Information:

The high quality and superior design of this heater will provide years of trouble-free performance. Each year the heater should be checked and cleaned for lint and dust accumulation. We recommend using a soft bristled brush such as a paint brush to assist in removing contaminants from the heater.

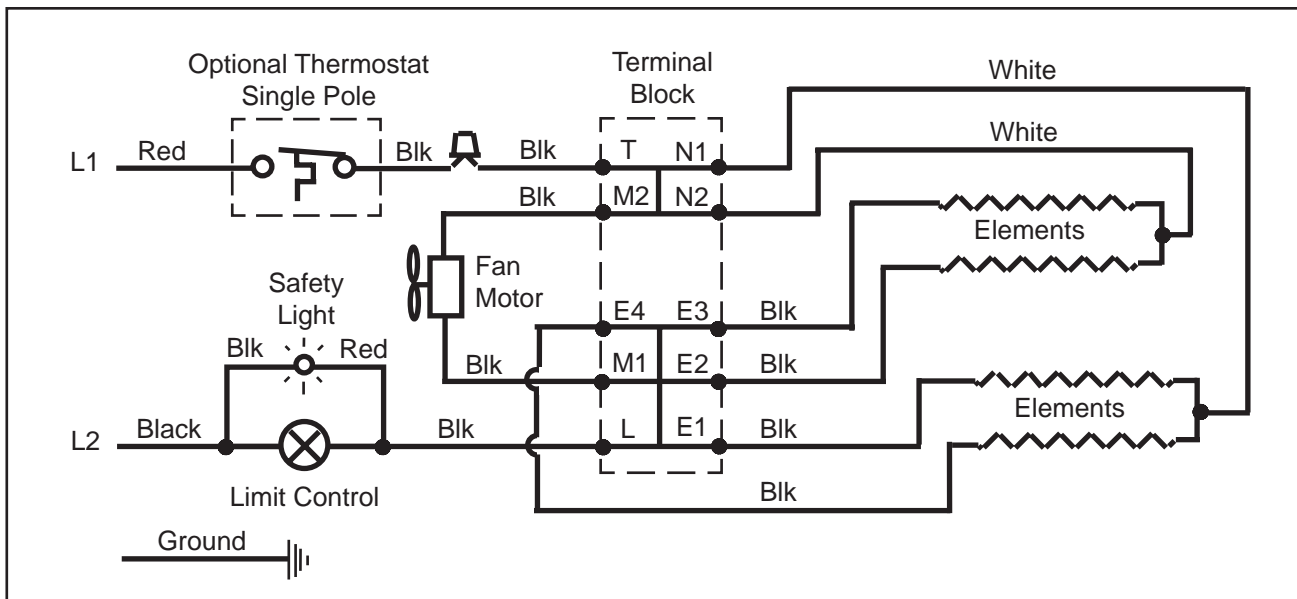
## Limited One Year Warranty:

King Mfg. Co. will repair or replace without charge any King product found to be defective or malfunctioning during the first year of purchase to the original owner.



EFW Series  
Dimension Chart

## Wiring Diagram



EFW.indd : 4/08