

**INSTALLATION
AND OPERATING INSTRUCTIONS**

**Design Architectural
Heating**

**DRAFT BARRIERS
AND PEDESTAL HEATERS**

WARNING

DO NOT install heaters against combustible, low density cellulose fiber surface.

DO NOT locate heater below an electrical convenience receptacle.

To reduce the risk of fire, DO NOT store or use gasoline or other flammable vapors and liquids in the vicinity of the heaters.

TYPE: SBT, SBT-PD SBF, SBF-PD
LBT, LBT-PD, LBF, LBF-PD

NOTE:

Draft barriers and pedestal heaters are intended for wall, floor or still mounting, depending on models ordered or received. Please consult appropriate spec sheets for details.

FREIGHT:

All units were shipped in good order, with a clear bill of lading. If damage has occurred, damage must be reported to delivering carrier for inspection. Notify factory within 72 hours.

MAINTENANCE:

There are no moving parts on heaters; therefore, no oiling is required.

FURNITURE, DRAPES AND CARPETS:

CAUTION: High temperature. Proper operation of heaters require free circulation of room air through the heating element. Keep electrical cords, drapes, rugs and other furnishings away from the heater. Furniture should be placed no closer than 4" from the heater.

Drapes should clear the top of the heater by at least 12" or if you prefer floor length drapes, they should clear the floor by 3" and the minimum clearance from the back fold to the front cover should be at least 4".

For best results when carpeting is involved in the installation, allow the clearance for carpet to be installed under the heaters and corners. Rugs can be placed up to the heater, provided that they are not of a thickness that would block the air-intake at the bottom of the heater

INSTALLATION:

Step 1: Remove front cover by lifting top portion to unsnap from backplate.

Step 2: Remove appropriate knockout on side or back of junction box.

Step 3: Use suitable connector and wire in accordance with N.E.C. (see Table #1).

Step 4: Wire according to diagrams.

Step 5: Mount backplate to appropriate surface, using a suitable fastener.

Step 6: Replace junction box cover. Secure with screws.

Step 7: Install accessories as needed.

NOTE: Blanks may be used as a wire raceway if front is secured to backplate by means of screw(s). If front is not secured with screw(s), conduit or armored cable should be used in blank sections and corner sections.

GROUND CONTINUITY:

Continuity of ground must be maintained between terminal boxes of heaters or blank sections in continuous run. To ensure this, use either:

1. Listed conduit bushings or other chase nipples, having paint piercing type locknuts to join terminal boxes together.
2. Run a ground jumper from ground screw in one terminal box to the ground screw in adjoining terminal box.

IMPORTANT:

NOTE: ALL UNITS AND SYSTEM INSTALLATION MUST USE APPROPRIATE END CLOSURES.

LIMITED WARRANTY:

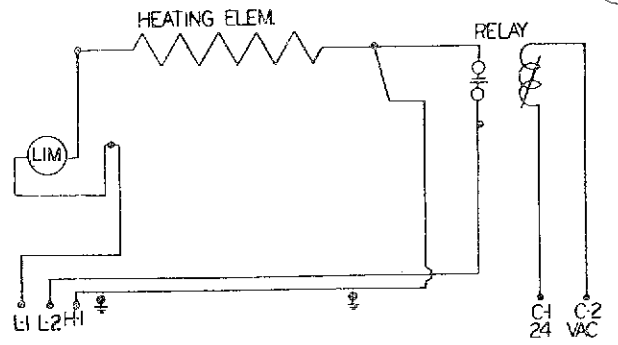
Products covered by this warranty are warranted against defects in workmanship and materials for one year from date of sale. This warranty does not apply to damage from accident, misuse, or alteration; nor where the connected voltage is more than 5% above the nameplate voltage, nor to equipment improperly installed or wired or maintained in violation of the instruction sheet. This warranty is valid only in the fifty states of the United States. No other written or oral warranty applies. No employee, agent, dealer or other person is authorized to give any warranties on behalf of Design Architectural Heating.

The customer shall be responsible for all costs incurred in the removal or reinstallation and shipping of the product for repairs. Within the limitations of this Warranty, inoperative units should be returned to the nearest Design Architectural Heating factory, and we will repair or replace, at our option at no charge to you with return freight paid by Design Architectural Heating. It is agreed that such repair or replacement is the exclusive remedy available from Design Architectural Heating and that Design Architectural Heating IS NOT RESPONSIBLE FOR DAMAGES OF ANY KIND, INCLUDING INCIDENTAL AND CONSEQUENTIAL DAMAGE. Some states do not allow the exclusive or limitation of incidental or consequential damages, so the above exclusion or limitation may not apply to you. This warranty gives you specific legal rights and you may also have other rights which vary from state to state.

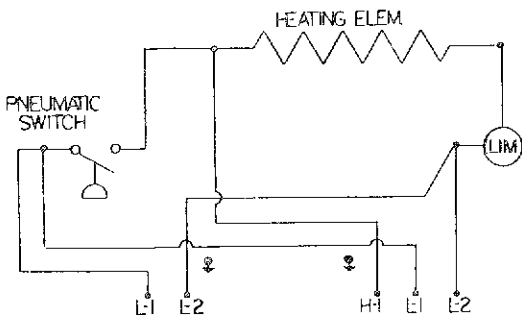
Merchandise returned to the factory must be accompanied by a return authorization and service identification tag. When requesting authorization, include all catalog numbers shown on the product.

WIRING DIAGRAM:

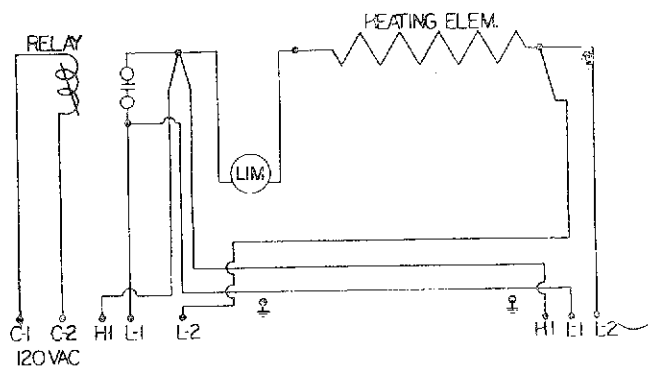
HEATER WITH R2



HEATER WITH PC

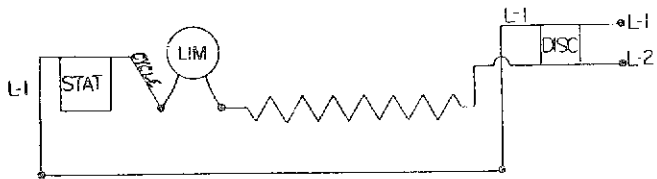


HEATER WITH R

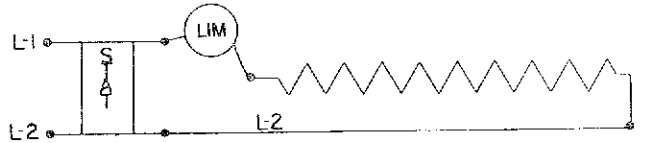


SINGLE POLE STAT (ON LEFT)

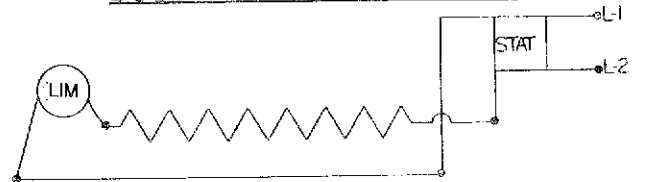
DOUBLE POLE DISC (ON RIGHT)



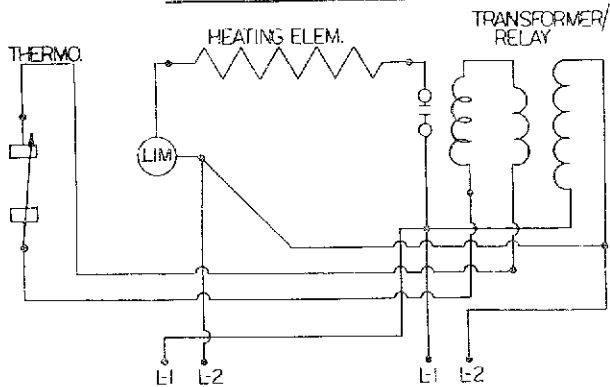
DOUBLE POLE STAT ON LEFT



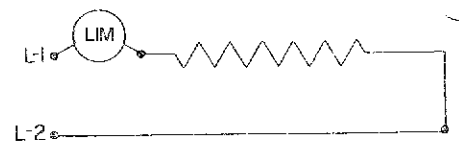
DOUBLE POLE STAT ON RIGHT



HEATER WITH R9 & T



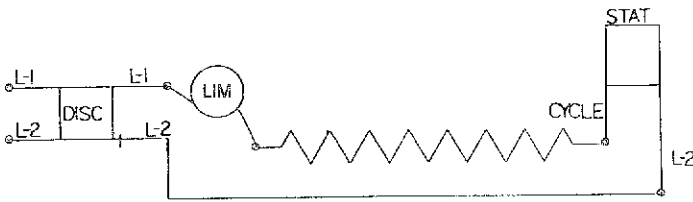
HEATER NO CONTROLS



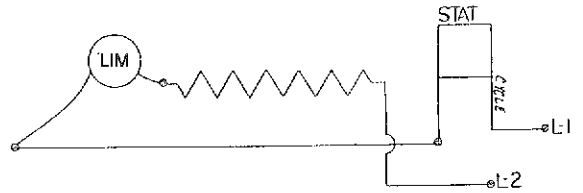
WIRING DIAGRAM CONT:

SINGLE POLE STAT (ON RIGHT)

DOUBLE POLE DISC (ON LEFT)



SINGLE POLE STAT ON RIGHT



Note: L1 - L2 shown on left indicates left side wiring. L1 - L2 shown on right indicates right side wiring. 24 volt control wiring should be isolated from line voltage wiring.

AWG	COPPER AMPS.	ALUMINUM AMPS.
14	12	-
12	16	12
10	24	16
8	36	24

FOR SUPPLY CONNECTIONS USE WIRE
SUITABLE FOR AT LEAST 75°C (167°F).

KNOCKOUT LOCATIONS:

