

# INSTALLATION INSTRUCTIONS

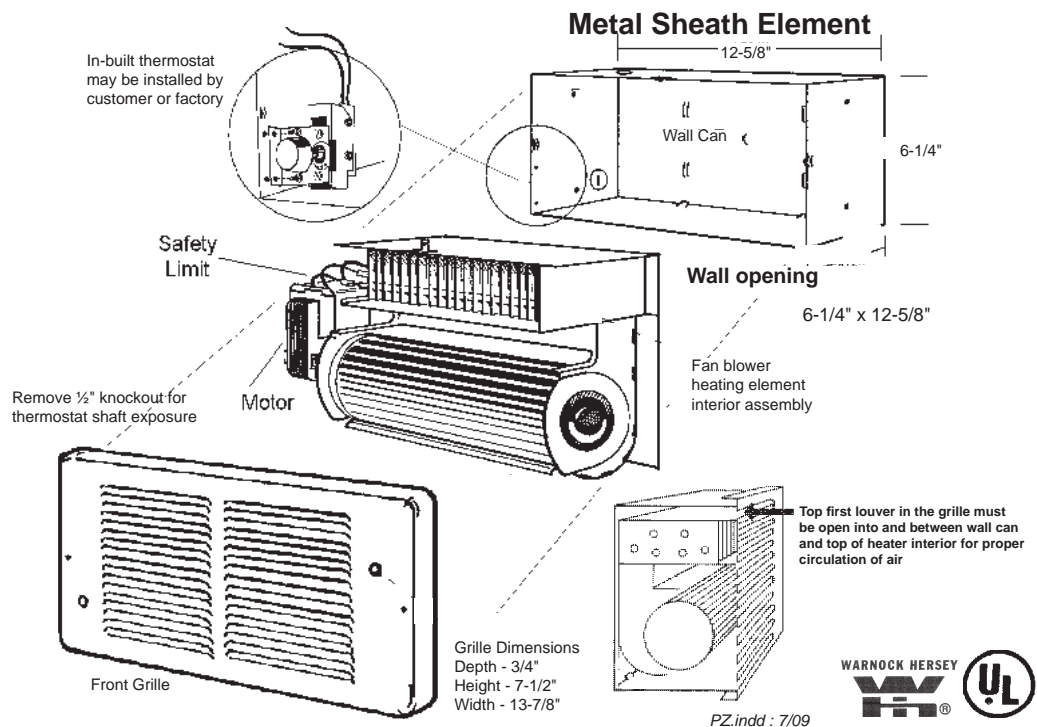
## PZ SERIES HEATER

It is **extremely important** you verify the electrical power supply is the same voltage as the heater you are installing. **208/240/277 and 120 Volt heaters are not interchangeable.** Powering a 208/240/277 Volt unit with 120 Volt supply wires will reduce the heater output by approximately 75%. Powering a 120 Volt unit with 208/240/277 Volt supply wires will destroy the heater and voids all warranties.

**CAUTION:** Turn off power source supplying the heater before attempting installation, maintenance, or repairs. Lock or tag circuit breaker or fuse panel door. Failure to do so could result in serious electrical shock, burns, or possible death.

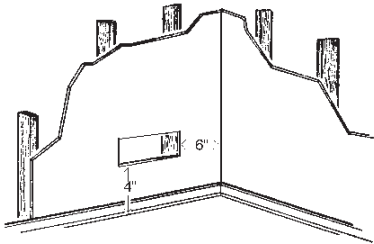
1. After removing the heater from the carton check to make sure the heater has not been damaged in shipment.
2. Remove the grille by loosening and removing the two screws on the front panel.
3. Remove the fan heater assembly by loosening the mounting screw. The assembly will now drop out.
4. Remove one 7/8" knockout and thread the supply wire into the wallbox. Use an approved strain relief bushing to prevent chafing of the supply wires through the opening in the wallbox.
5. Install wall can a minimum of 6" from vertical side walls and 4" above floor. Secure the wallbox to 2" x 4" studs or adequate support in the wall using the 4 holes provided on each side of the wallbox. **The face of the wall can must be 1/2" beyond the sheet rock or finished wall.**
6. Replace the fan heater assembly by sliding it over the tab at the back bottom inside edge of the wallbox. Replace the screw and tighten assembly mounting screw at the top of the wall can.
7. Attach the field groundwire to the green screw or pig tail.
8. Connect the supply wires to the leads from the heater.
9. Replace the front grille and secure with the two screws provided. The top first louver in the grille must be open in to and between wall can and top of heater for proper circulation of air.
10. The installation is now complete and the heater may be energized for use.

*This heater includes a manual reset thermal protector with a self-hold feature. If the heater shuts off with the on position and the room temperature is below the highest thermostat setting, immediately disconnect the power to the heater at the circuit breaker and inspect for any objects on or adjacent to the heater that may cause high temperatures. After inspecting the heater, keep the power off to the heater for 10 minutes to reset the thermal protector. If the heater thermal protector shuts the heater off again, immediately turn the heater off at the circuit breaker and inspect the heater for possible fan motor failure or dirt and lint on the heating element. Repeat starting procedure.*

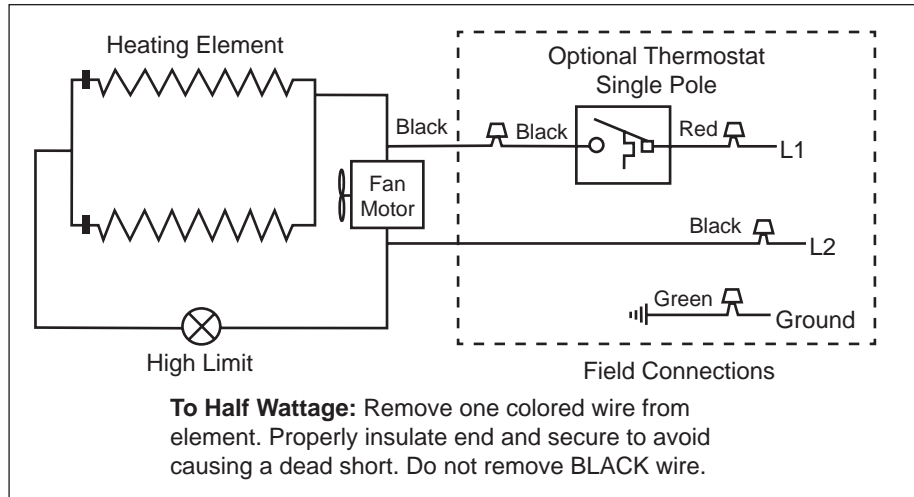


# INSTALLATION INSTRUCTIONS

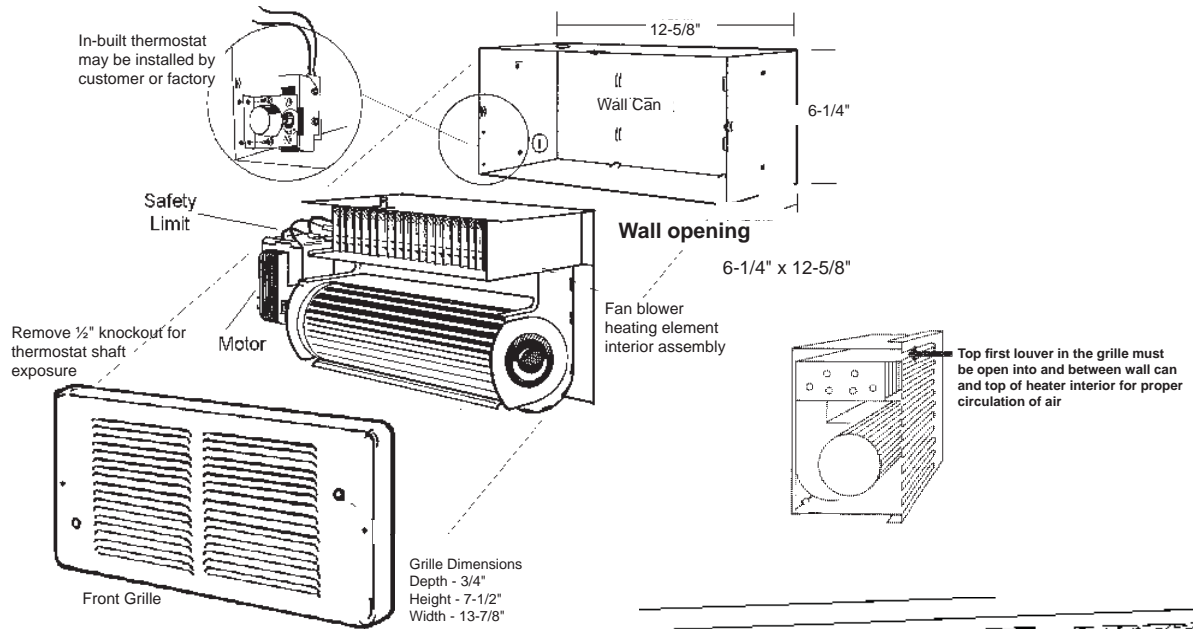
## PZ Series Wiring Diagram



Minimum Clearances  
Side Wall - 6"  
Outside Wall - 16" (Recommended)  
Floor - 4" (10" Recommended)



**Warning:** Check nameplate voltage on heater before connecting to power source.



### Maintenance & Warranty Information:

The high quality and superior design of this heater will provide years of trouble-free performance. Each year the heater should be checked and cleaned for lint and dust accumulation. We recommend using a soft bristle brush such as a paint brush to assist in removing contaminants from the heater.

### Limited One Year Warranty:

King Mfg. Co. will repair or replace, without charge, any King product found to be defective or malfunctioning during the first year of purchase to the original owner. The PZ-Series wall heater carries an **Extended Five Year Warranty** on the heating element.

