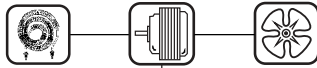


UNIT HEATER

KB
SERIES

LARGE AREA - 2000 WATTS TO 66,000 WATTS
CEILINGS UNDER 12 FT



FEATURES:

- Spiral Steel Fin Element
- Cast Iron Motor
- Aluminum Fan Blade
- Heavy Gauge Steel Enclosure
- Adjustable Discharge Louvers
- Totally Enclosed Motor
- Control Options
- Auto-Reset Thermal Cutout
- Optional 1-Pole or 2-Pole Thermostat
- Tested Under UL1278
- Optional Summer Fan Switch
- Optional 3-Position Switch (Heat-Off-Fan)
- Optional Two Stage Thermostat
- Optional Pilot Light (Power On Indication)
- Optional Door Interlocking Disconnect
- Optional Wall Mounted Thermostat
- Available in Stainless Steel Refer to Index.



Convenient, small and powerful are great words that describe our unit heaters which have been standard equipment in most high rise buildings, garages, water treatment and fire room vaults to prevent freezing. High mass steel elements and high CFM keeps outlet temperatures low for long life. For KB's under 5KW, use the KBP Series for higher outlet temperatures.

the highest quality components custom designed for use in the KB Series Unit Heater.



Freeze/Moisture Protection in a Generator Vault

Other applications are residential garages and warehouse heating. Long life comes standard with

ENGINEERING SPECIFICATIONS:

Contractor shall supply and install KB Series unit heaters manufactured by King Electrical Mfg. Company. Heaters shall be of the wattage and voltage as indicated on the plans.

Construction: All exterior and interior metal enclosure parts are made from 20GA electro galvanized steel with a rust inhibiting baked enamel finish. Smooth rounded corners and protective edge trim give an attractive modern appearance.

Adjustable Outlet Louver: Louvers direct air up or down as needed for the heating application.

Rear Intake Screen: Heavy gauge steel screen protects against foreign objects making accidental contact with the rotating fan blade.

Spiral Fin Elements: The metal sheath element is brazed with spiral fins and then molded into a coil configuration. This combination produces the best heat transfer while eliminating the potential for hot spots by positioning the element in the maximum airflow stream.

Totally Enclosed Fan Motor: Permanently lubricated cast iron with 20 cc of oil. Epoxy coated motor with enclosed rotor resists mois-

ture and corrosion for long lasting trouble free operation.

Aluminum Fan Blade: Axial flow type fan mounted directly to the motor shaft for maximum efficiency.

Auto-Reset Thermal Cutout: Power is disconnected from the element if an over heated condition occurs. The fan continues to run to dissipate excess heat from the element. The element is re-energized automatically when the normal operating temperature returns.

Internal Controls: Magnetic contactors are standard on all 480V heaters, all 208V-1Ø, 240V-1Ø, 277V-1Ø heaters above 6-KW, and all 3Ø heaters. The control voltage is equal to the line voltage (208, 240 or 277) except for 480V models where a transformer is provided for 24V Control. Internal circuit fusing is provided when the heater ampacity exceeds 48 amps to comply with NEC standards. A fan delay is provided standard on models 12.5-KW and above to dissipate residual heat from the heating elements.

Easy Installation: A quick access panel located on the bottom of the heater allows for quick wiring and easy maintenance for the life of the heater.

Tested Under UL1278

MODEL CODE:
Factory Installed Options:

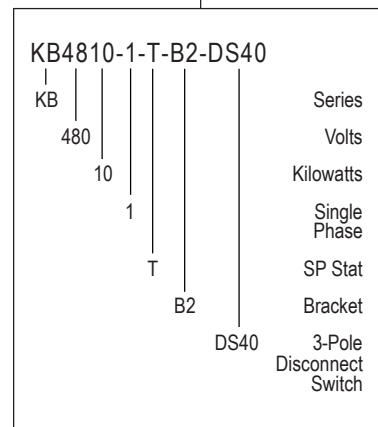
Power Contactor: Standard on heaters above 5KW and on all 3-Phase models, optional on 2 to 6KW 1-Phase heaters.

24 Volt Control: Standard on 480V heaters, optional on all other heaters.

120 Volt Control: Control components will be modified to accept 120V control. (Not Standard)

Mounting: Choose universal or low profile ceiling bracket made from heavy gauge steel.

Rough Service: 5-Lugs are provided to securely mount heater in heavy industrial applications or marine vessels where vibration and movement are a concern. Includes 5-Hole Bracket.


Other Control Options:

- 1-Pole or 2-Pole Thermostat
- Pilot Light (Power On Indicating)
- Temperature Indicated Label with 44° Energy Code Setting
- Door Interlocking Disconnect
- Summer Fan Switch
- Wall Mounted Thermostat Line or Low Voltage
- 3-Position Switch (Heat-Off-Fan)

QUICK SELECTION CHART:

KILOWATTS	PHASE	208V		240V		277V		480V		WEIGHT (lbs.)
		MODEL	UPC #093319 PART NO.	MODEL	UPC #093319 PART NO.	MODEL	UPC #093319 PART NO.	MODEL	UPC #093319 PART NO.	
3	1	KB2003-1	15003	KB2403-1	15006	KB2703-1	15202	KB4803-1	15009	25
	3	KB2003-3MP	15231	KB2403-3MP	15072			KB4803-3MP	15102	40
4	1	KB2004-1	15012	KB2404-1	15010	KB2704-1	15204	KB4804-1	15015	25
		KB2005-1	15224	KB2405-1	15018	KB2705-1	15206	KB4805-1	15021	
5	3	KB2005-3MP	15228	KB2405-3MP	15075			KB4805-3MP	15105	40
	1			KB2406-1	15024	KB2706-1	15208	KB4806-1	15027	25
6	3			KB2406-3MP	15078			KB4806-3MP	15108	40
	1	KB2007-1	15029	KB2407-1	15030	KB2707-1	15209	KB4807-1	15033	32
7.5	3	KB2007-3MP	15233	KB2407-3MP	15079			KB4807-3MP	15109	40
	1					KB2709-1	15212			
9	3			KB2409-3MP	15081			KB4809-3MP	15111	40
	1	KB2010-1	15226	KB2410-1	15042	KB2710-1	15214	KB4810-1	15045	32
10	3	KB2010-3MP	15230	KB2410-3MP	15082			KB4810-3MP	15113	40
	1	KB2012-1	15227	KB2412-1	15054	KB2712-1	15216	KB4812-1	15057	32
12.5	3	KB2012-3	15235	KB2412-3	15087			KB4812-3MP	15117	40
	1	KB2015-1	15229	KB2415-1	15064	KB2715-1	15221	KB4815-1	15065	32
15	3	KB2015-3	15232	KB2415-3	15090			KB4815-3MP	15120	40
18				KB2418-3	15093			KB4818-3MP	15123	40
20		KB2020-3	15237	KB2420-3	15094			KB4820-3MP	15122	48
25		KB2025-3	15239	KB2425-3	15100			KB4825-3	15130	
30		KB2030-3	15223	KB2430-3	15101			KB4830-3	15162	49
33				KB2433-3	15138			KB4833-3	15165	
40		KB2040-3	15225	KB2440-3	15103			KB4840-3	15169	100
50		KB2050-3	15241	KB2450-3	15148			KB4850-3	15175	
60		KB2060-3	15243	KB2460-3	15153			KB4860-3	15180	