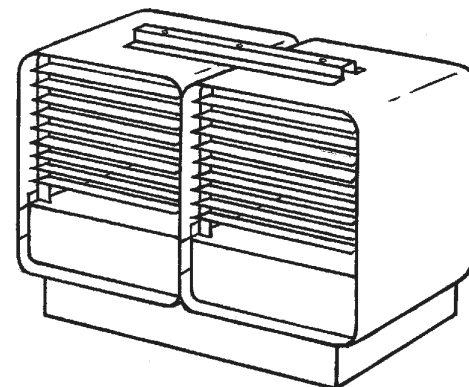


HEATER SIZE	DIMENSIONS		
	HEIGHT	DEPTH	WIDTH
A	16.5"	11"	15"
B	16.5"	18"	15"
C	18.5"	11"	15"
D	18.5"	18"	15"
E	20.5"	18"	15"
F	18.5"	18"	30"
G	20.5"	18"	30"



### SINGLE PHASE TECHNICAL DATA

380V 3Ø Heaters are available in most KW ratings.

CATALOG NO.	UPC VENDOR #093319	KW	BTUH (000)	SINGLE PHASE	VOLTS	AMPS	**T-STAT CONTROL VOLTAGE	MOTOR HP	CFM	TEMP RISE	AIR THROW	MAX MTG HT.	*SIZE	WT (LBS.)
KB2003-1	15005	3	10.2	1	208	14.4	208	3 Watt	300	35°	14ft	8ft	A	25
KB2403-1	15006				240/208	12.5/10.8	240							25
KB2703-1	15202				277	10.8	277							25
KB4803-1	15009				480	6.2	24							28
KB2004-1	15012	4	13.5	1	208	19.2	208	9 Watt	400	38°	15ft	8ft	A	25
KB2404-1	15010				240/208	16.6/14.4	240							25
KB2704-1	15204				277	14.4	277							25
KB4804-1	15015				480	8.3	24							28
KB2005-1	15224	5	17.0	1	208	24.0	208	9 Watt	400	40°	16ft	8ft	A	25
KB2405-1	15018				240/208	20.8/18	240							25
KB2705-1	15206				277	18.1	277							25
KB4805-1	15021				480	10.4	24							28
KB2406-1	15024	6	20.5	1	240/208	25/21.6	240	9 Watt	400	45°	16ft	8ft	A	25
KB2706-1	15208				277	21.6	277							25
KB4806-1	15027				480	12.5	24							28
KB2007-1	15029	7.5	25.6	1	208	36.1	208	16 Watt	600	40°	20ft	9ft	C	29
KB2407-1	15030				240/208	31.2/27	240							29
KB2707-1	15209				277	27.0	277							29
KB4807-1	15033				480	15.6	24							32
KB2010-1	15226	10	34.1	1	208	48.1	208	25 Watt	725	44°	24ft	10ft	B	32
KB2410-1	15042				240/208	41.6/36.1	240							32
KB2710-1	15214				277	36.1	277							32
KB4810-1	15045				480	20.8	24							35
KB2012-1	15227	12.5	42.7	1	208	60.1	208	35 Watt	825	48°	30ft	11ft	B	32
KB2412-1	15054				240/208	52/45.1	240							32
KB2712-1	15216				277	45.1	277							32
KB4812-1	15057				480	26.0	24							35
KB2015-1	15229	15	51.2	1	208	72.1	208	35 Watt	925	51°	33ft	12ft	B	37
KB2415-1	15064				240/208	62.5/54.1	240							37
KB2715-1	15221				277	54.2	277							37
KB4815-1	15065				480	31.3	24							40

\*Refer to DIMENSIONS Chart

Heater will draw 13% less amps 25% less wattage.

\*\*Over 6KW Line Voltage Control is operating the Contactor Coil only, and will draw under 1 AMP.

Note: Consult factory for special wattages and/or voltages.

Rated KW load tolerance of plus 5% minus 10%.

### 3-PHASE TECHNICAL DATA CHART:

380V 3Ø Heaters are available  
in most KW ratings.

CATALOG NO.	UPC VENDOR # 093319	KW	BTUH (000)	PHASE	VOLTS	AMPS		**T-STAT CONTROL VOLTAGE	MOTOR HP	CFM	TEMP RISE	AIR THROW	MAX MTG HT.	*SIZE	WT (LBS.)
						1-PH	3-PH								
KB2003-3MP	15231	3	11.0	1-3	208	14.4	8.3	208	3 Watt	300	35°	14ft	8ft	B	32
KB2403-3MP	15072				240/208	12.5/10.8	7.2/6.2	240							35
KB4803-3MP	15102				480	6.2	3.6	24							
KB2005-3MP	15228	5	17.1	1-3	208	24.0	13.9	208	9 Watt	400	40°	16ft	8ft	B	32
KB2405-3MP	15075				240/208	20.8/18	12/10.4	240							35
KB4805-3MP	15105				480	10.4	6.0	24							
KB2007-3MP	15233	7.5	25.6	1-3	208	36.1	20.8	208	16 Watt	600	40°	20ft	9ft	B	42
KB2407-3MP	15079				240/208	31.2/27	18/15.6	240							45
KB4807-3MP	15109				480	15.6	9.0	24							
KB2009-3MP	15135	9	30.7	1-3	208	43.2	24.9	208	25 Watt	725	42°	24ft	9ft	B	42
KB2409-3MP	15081				240/208	37.5/32.5	21.6/18.7	240							45
KB4809-3MP	15111				480	18.7	10.8	24							
KB2010-3	15230	10	34.1	1-3	208		27.7	208	25 Watt	725	44°	24ft	10ft	B	42
KB2410-3MP	15082				240/208	41.6/36.1	24/20.8	240							45
KB4810-3MP	15113				480	20.8	12.0	24							
KB2012-3	15235	12.5	42.7	1-3	208		34.6	208	35 Watt	825	48°	30ft	11ft	B	42
KB2412-3	15087				240/208		30/26	240							45
KB4812-3MP	15117				480	26.0	15.0	24							
KB2015-3	15232	15	51.2	1-3	208		41.6	208	35 Watt	925	51°	33ft	12ft	B	46
KB2415-3	15090				240/208		36/31.2	240							49
KB4815-3MP	15120				480	31.2	18.0	24							
KB2418-3	15093	18	61.4	1-3	240/208		43.3/37.5	240	35 Watt	925	55°	33ft	12ft	B	46
KB4818-3MP	15123				480	37.5	21.6	24							
KB2020-3	15237	20	68.3	3	208		55.5	208	50 Watt	1100	57°	37ft	13ft	D	46
KB2420-3	15094			3	240/208		48.1/41.6	240							49
KB4820-3MP	15122			1-3	480	41.6	24.0	24							
KB2025-3	15239	25	85.3	3	208		69.4	208	1/4hp	1350	58°	41ft	14ft	E	48
KB2425-3	15100				240/208		60.1/52.1	240	51						
KB4825-3	15130				480	30.1	24	24							50 Watt
KB2030-3	15223	30	102.4	3	208		83.3	208	1/4hp	1800	53°	48ft	15ft	E	49
KB2430-3	15101				240/208		72.1/62.5	240							52
KB4830-3	15162				480	36.1	24	24							
KB2433-3	15138	33	113	3	240/208		79.3/68.8	240	1/4hp	1800	53°	48ft	15ft	E	49
KB4833-3	15165				480	39.7	24	24							
KB2040-3	15225	40	136.5	3	208		111.0	208	(2) 50 Watt	2200	57°	53ft	15ft	F	100
KB2440-3	15103				240/208		96.2/83.3	240							110
KB4840-3	15169				480	48.1	24	24							
KB2050-3	15241	50	170.6	3	208		138.8	208	(2) 50 Watt	2400	65°	58ft	15ft	F	103
KB2450-3	15148				240/208		120.2/104.2	240							113
KB4850-3	15175				480	60.1	24	24							
KB2460-3	15153	60	204.8	3	240/208		144.3/125	240	(2) 1/4hp	2700	70°	65ft	18ft	G	105
KB4860-3	15180				480	72.2	24	24							
KB2466-3	15156	66	225	3	240/208		158.7/137.6	240	(2) 1/4hp	2700	70°	65ft	18ft	G	105
KB4866-3	15183				480	79.5	24	24							

\*Refer to DIMENSIONS Chart

Heater will draw 13% less amps 25% less wattage.

\*\*Over 6KW Line Voltage Control is operating the Contactor Coil only, and will draw under 1 AMP.

Note: Consult factory for special wattages and/or voltages.

Rated KW load tolerance of plus 5% minus 10%.