

BRACKET NO.	HEATER KW SIZE USED WITH	BRACKET DIMENSIONS												
		L	W	H	A	B	C	D	E	F	G	X	Y	Z
KBB-1	3 to 7.5KW 1-Ph	12-1/2"	3"	10"	1-1/4"	7-1/4"	1-1/2"	1-3/4"	5-1/2"	4"	1-1/4"	1/2"	1"	2"
KBB-2	10 to 15KW 1-Ph, & 3 to 30KW 3-Ph	17"	3"	10"	1-1/4"	7-1/4"	1-1/2"	2"	8-1/2"	5-1/4"	1-1/4"	1/2"	1"	2"
KBB-3	40 to 60KW 3-Ph	19"	6"	12"	3/4"	9-1/4"	2"	18"			1"	3/4"	2"	4-1/2"

KBB-1 & KBB-2 - Unit heat brackets can be used for mounting on ceiling or wall. 3/8" threaded hole on top of unit heater can also be used with threaded rod to drop the unit closer to floor.

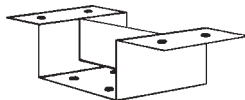


KBT - Capillary bulb style thermostat senses intake air for accurate temperature control. Label is calibrated from 40° to 75°F with a 44°F setting for unoccupied space as some energy codes require.

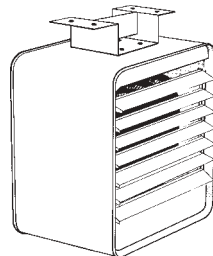
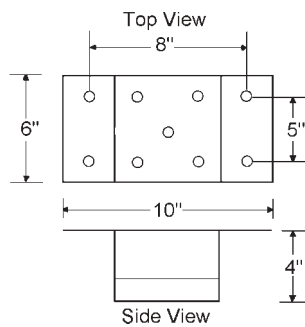
Disconnects can be specified in 30, 40, 80 or 100 amp ratings with door interlock and padlock provision. Standard non-fused interlocking disconnect.



Rough Service/Low Profile · KBB-4 Mounting Bracket



This bracket is manufactured in a Low Profile design with 5 mounting holes. When using this bracket for Low Ceiling Profile installation, use the center hole only. When **rough service support** is necessary, order the Option -5MT (when ordering unit heater). The heater will have four mounting holes fabricated into the top. Attach bracket using the four outside mounting holes to provide a rigid mount. This is ideal for use on Ships, Containers or any application that will cause the heater to experience vibration.



A unit heater being installed in a Chicago high rise electrical room for humidity and freeze protection.

FIELD MOUNT ACCESSORIES:



Water pumping and a water treatment room, protected from freezing and humidity with King KB Unit Heater.

MODEL	DESCRIPTION	UPC #093319 PART NO.	WT.
KBB-1	Universal Wall/Ceiling Small Mounting Bracket for heaters with Size A & C	15192	3
KBB-2	Universal Wall/Ceiling Large Mounting Bracket for heaters with Size B, D & E	15195	4
KBB-3	Universal Wall/Ceiling Double Mounting Bracket for heaters with Size F & G	15350	5
KBB-4	Rough Service or Low Profile Mounting Bracket for any heater. (2 Ea. req. for Size F & G)	15351	4
KBT	Capillary Bulb Style Stat Kit (SPST). 25 AMP	15189	.5
KBT-2	Capillary Bulb Style Stat Kit (DPST). 25 AMP	18209	.5

FACTORY INSTALLED OPTIONS:

ADD SUFFIX:	DESCRIPTION
-T	1-Pole Unit Mounted Thermostat. Temperature range 40°F to 100°F
-T2	2-Pole Unit Mounted Thermostat. Temperature range 40°F to 100°F 6KW and Higher
-B1	Mounting Bracket KBB-1 included with heater size A & C
-B2	Mounting Bracket KBB-2 included with heater size B, D, & E
-B3	Mounting Bracket KBB-3 included with heater size F & G
-SF	Summer Fan Switch
-SFR	Control Relay and 24V Transformer for Remote Summer Fan Operation
-3PS	3-Position Switch (Heat/Fan/Off)
-PL	Pilot Light (Power On Indication)
-CX	Power Contactor for 3KW through 5KW, 1-Phase Models (Line Voltage Coil)
-CT24	Adds Transformer and Converts 208, 240 & 277 Volts to 24V Control Circuit. (Add Power Contactor (-CX) for 3KW through 5KW, 1-Phase Models)
-CT120	Same as CT24 except 120V Control Components. (Add Power Contactor (-CX) for 3KW through 5KW, 1-Phase Models)
-DS30	30 AMP, 3-Pole Disconnect Switch with Door Interlock and Padlock Provision.
-DS40	40 AMP, 3-Pole Disconnect Switch with Door Interlock and Padlock Provision.
-DS80	80 AMP, 3-Pole Disconnect Switch with Door Interlock and Padlock Provision.
-DS100	100 AMP, 3-Pole Disconnect Switch with Door Interlock and Padlock Provision.
-5MT	5 Mounting Weld Nuts are provided on heater for rough service use. Includes KBB-4 5-hole bracket.
-5MT2	Rough Service Mounting Holes (4 Each) fabricated into the top of each heater to accept KBB-4 Mounting Brackets (2 each KBB-4 included)