

UNIT HEATER

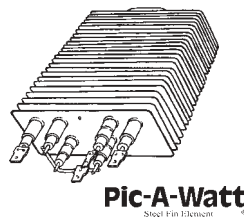
KBP
SERIES

PIC-A-WATT - MULTI-PURPOSE · 950 WATTS TO 6000 WATTS
CEILING UNDER 10 FT



FEATURES:

- Pic-A-Watt® Element
 - Cast Iron Motor
 - Aluminum Fan Blade
 - Built-in Thermostat
 - Quiet Running
- Multiple Wattage Selection
 - Powder Coated Finish
 - Standard Color - Almond
 - Universal Mounting Bracket
 - Fan Delay
 - Selector Switch - Fan / Heat / Off
 - Tested Under UL1278
 - Bimetallic limit turns the element off if an over temperature condition occurs and automatically resets when the normal temperature returns.
 - Optional 30 Amp Plug, Cord, Handle Kit



ENGINEERING SPECIFICATIONS:

Contractor shall supply and install, KBP-Series unit heaters, manufactured by King Electrical Mfg. Company. Heaters shall be of the wattage and voltage as indicated on the plans.

Pic-A-Watt Heating Element: Exclusive King multi-tap element allows field adjustment to several wattages at time of installation. Steel sheath elements of various resistance are copper brazed to steel plate fins producing a multi-wattage heating element.

Built-in Thermostat: Single pole factory installed hydraulic capillary tube thermostat with precision heating control. Operating range 40° F to 90° F.

Fan / Heat / Off Switch: 3-position switch provides heating and summer fan only operation. The DPST off switch provides a "positive off" that disconnects all ungrounded conductors. Not available in 480V and 3 Phase models.

Fan Delay Switch: The fan continues to operate after the thermostat shuts off in order to remove the residual heat left in the elements.

Universal Mounting Bracket: Combination ceiling/wall/floor bracket is included with every heater.

Unit Bearing Motor: Permanently lubricated cast iron 4 pole motor with 20 cc of oil. Enclosed rotor provides long lasting trouble free operation. Thermally protected, 1300 RPM.

Auto-Reset Thermal Limit Control: Heater shuts off when over temperature conditions exist and automatically resets when the normal operating temperature returns.

Exterior: Textured Acrylic Powder Coating provides an attractive durable finish in almond color.



The KBP is an excellent choice for a garage or shop heater; it easily has the capacity to heat a large space. It has a flow through design which means it pulls the air from the back of the heater and discharges out the front for efficient air movement. This is a rugged heater with quality components that is suitable for commercial applications as well.

It comes standard with a 3-position switch and an accurate built-in thermostat that has degrees on the label for precise temperature control. Also comes with fan delay to help dissipate the heat from

the elements. This heater can be used as a portable by purchasing the -K1 (120 Volt) or -K2 (240 Volt) accessory kit.



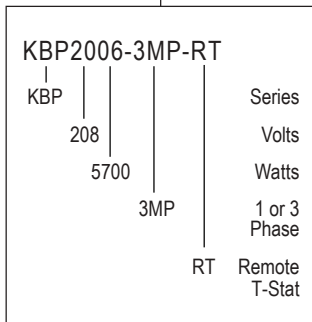
SELECTION:

380V 3Ø Heaters are available in most KW ratings.

MODEL	UPC #093319 PART NO.	VOLTS	PHASE	WATTAGE RANGE	PHASE AMPS 1Ø / 3Ø	MOTOR SIZE	CFM	TEMP RISE °F	AIR THROW	WT. (lbs)
KBP1230	15191	120	1	2850 • 1900 • 950	24	5 W	270	35°	16ft	24
KBP2406	15190	240*	1	5700 • 4750 • 3800 2850 • 1900 • 950	24	5 W	270	70°	16ft	24
KBP2006-3MP	15193	208	1-3	5700 • 2850	27 / 16	5 W	270	70°	16ft	25
KBP2406-3MP	15195	240*	1-3	5700 • 2850	24 / 14	5 W	270	70°	16ft	25
KBP2704	15192	277	1	4000 • 3000 2000 • 1000	15	5 W	270	47°	16ft	24
KBP4804-3MP	15196	480	1-3	4160	9 / 5	5 W	270	49°	16ft	26
KBP4806-3MP	15197	480	1-3	6000	13 / 8	5 W	270	71°	16ft	

*Approved for 208V operation. Heater will draw 13% less amps and 25% less wattage.

MODEL CODE:



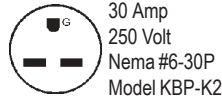
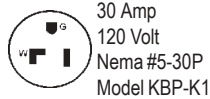
Standard Color: Textured Almond

ACCESSORIES:

MODEL	DESCRIPTION	UPC #093319 PART NO.	WEIGHT
KBP-K1	120V, 1 Phase, 30 Amp, 6FT Cord/Handle Kit	15198	2.0
KBP-K2	240V, 1 Phase, 30 Amp, 6FT Cord/Handle Kit	15199	2.0
KBP-RT	Provision for Remote STAT (Line Voltage)	N/A	N/A
*KBP-RTL1	Provision for Remote STAT, 1 Phase (24 Volt)	N/A	N/A
*KBP-RTL3	Provision for Remote STAT, 3 Phase (24 Volt)	N/A	N/A

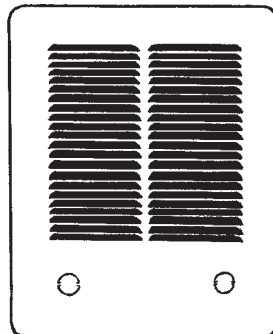
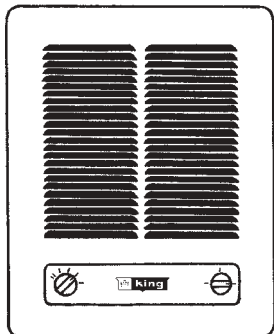
*Factory Installed Only

Receptacle Configurations Needed for Cord Set



DIMENSIONS

13½" H x 10" W x 11½" D



3 MOUNTING STYLES
Multi-positional bracket allows unlimited mounting options.

