

TE109 N.E.M.A. 4X THERMOSTAT

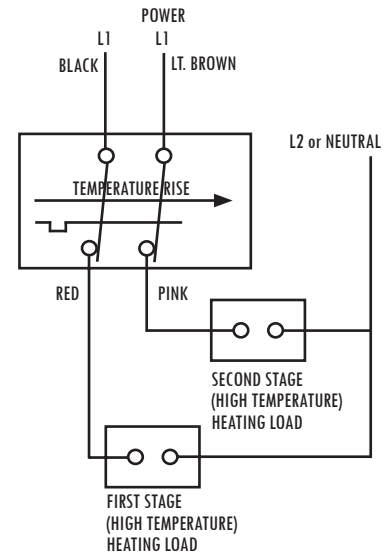
RAINTIGHT CORROSION-RESISTANT TWO STAGE HEATING LINE VOLTAGE

The TE109 N.E.M.A. 4X two stage line voltage thermostat is designed specifically for use in National Electrical Code (N.E.C.) Article 547 applications requiring a rugged, weather-resistant, durable control for heating in agricultural, industrial and commercial environments. The TE109 is suitable for use in poultry houses, hog houses, livestock barns, brooder houses, and greenhouses as well as factories, warehouses, garages, and gymnasiums - anywhere a water resistant thermostat is required.



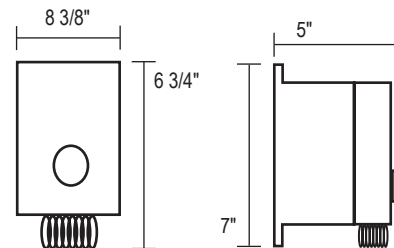
TE109

WIRING DIAGRAM



MODEL	UPC #093319 PART #	TYPE	AMPS	TEMP. RANGE
TE109-002	19152	N.E.M.A. 4X heating - 2 stage	25	40°- 100°F

RATING	120VAC	208VAC	240VAC	277VAC
LOCKED ROTOR	80 AMP	66 AMP	60 AMP	50 AMP
NON-INDUCTIVE	25 AMP	25 AMP	25 AMP	22 AMP



SPECIFICATIONS

Amperage: Full load - 25 Amps at 120/240/277VAC;
Control: Two stage heating
Switch: 2 single pole single throw
Listing: U.L., C.S.A. & N.E.M.A.
Construction: 2-piece weather resistant plastic enclosure and stainless steel exposed parts.
Temperature: 40° - 100°F (4°C - 38°C)
Ground: Leadwire

FEATURES

- N.E.M.A. 4X enclosure complies with N.E.C. Article 547 when used with appropriate watertight connections.
- Weather resistant enclosure made of corrosion resistant materials.
- Stainless steel coiled sensor provides rapid response to temperature change.
- Large dial with 40° - 100°F (4°C - 38°C) temperature range.
- Green leadwire ground.
- One control for two circuits.
- Access wiring from top or bottom.
- Two stage heating
- 2 single pole single throw
- Opens 2 circuits sequentially on temperature rise
- Resistive load: 25 Amps at 120/240/277VAC
- Locked rotor: 80 Amps at 120VAC, 60 Amps at 240VAC, 50 Amps at 277VAC
- Large dial with 40° - 100°F (4°C - 38°C) temperature range
- U.L., C.S.A. and N.E.M.A. listed

TECHNICAL

INSTALLATION

Locate thermostat 4' - 6' above the floor, clearly exposed to the average area temperature. Avoid areas of unusual heat or cold (such as direct sunlight or window/door drafts). Conduit hub, cord seal or other connection device must be U.L. listed and marked 4X. Irregardless of wiring, and despite the unit being sealed, a drip loop should be provided to further prevent water/moisture from entering the housing. Wire nuts are not provided. Use only the screws provided. Do not overtighten cover screws.