

TF115 N.E.M.A. 4X THERMOSTAT

RAINTIGHT, WEATHER RESISTANT

The TF115 N.E.M.A. 4X thermostat is designed specifically for use in National Electrical Code (N.E.C.) Article 547 applications requiring a rugged, weather-resistant, durable control for both heating and cooling (ventilation) in agricultural, industrial and commercial environments. The TF115 is suitable for use in poultry houses, hog houses, livestock barns, brooder houses, and greenhouses as well as factories, warehouses, garages, and gymnasiums.

MODEL	UPC #093319 PART #	TYPE	AMPS	TEMP. RANGE
TF115	19150	N.E.M.A. 4X Heating or Cooling Thermostat - Single Pole, Double Throw	25	40° - 100°F

RATING	120VAC	240VAC	277VAC	480VAC
LOCKED ROTOR	80 AMP	60 AMP	50 AMP	
NON-INDUCTIVE	25 AMP	25 AMP	22 AMP	5 AMP



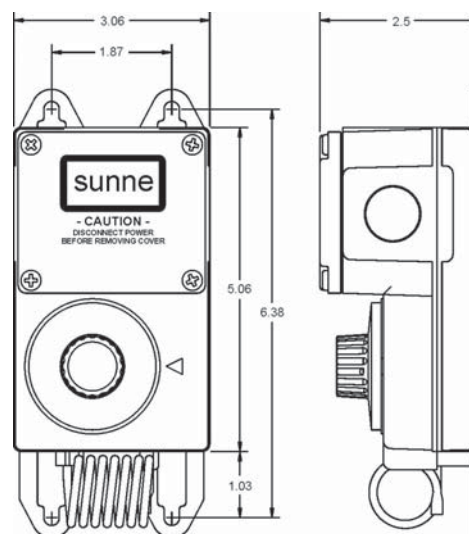
TF115

SPECIFICATIONS

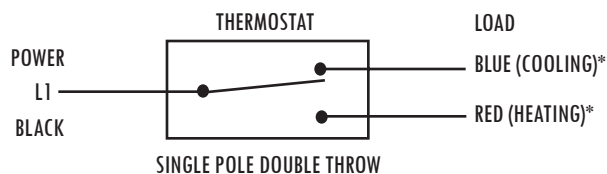
Amperage: Full load - 25 Amps at 120/240/277VAC;
Control: One stage heat or cool
Switch: 1 single pole double throw
Listing: U.L., C.S.A. & N.E.M.A.
Construction: 2-piece weather resistant plastic enclosure and stainless steel exposed parts.
Temperature: 40° - 100°F (4°C - 38°C)
Ground: Leadwire

FEATURES

- N.E.M.A. 4X enclosure complies with N.E.C. Article 547 when used with appropriate watertight connections.
- Rugged weather-resistant enclosure made of corrosion-resistant materials for long life.
- Low mass, high surface area of stainless steel coiled sensor provides rapid response to temperature change.
- Large, readily visible dial with 40° - 100°F (4° - 38°C) temperature range.
- Multi-positional mounting offers flexibility in either new or existing installations.
- One control for both heating and cooling applications.
- Underwriters Laboratories (U.L.) listed and CSA Certified.



WIRING DIAGRAM



**either heating or cooling - not both*