

# BETTER • LINE VOLTAGE

## EURO STYLE ANTICIPATED SINGLE OR DOUBLE POLE LINE VOLTAGE



HET-1



HE-2

These better thermostats have a larger, more sensitive, bi-metal sensor that improves temperature accuracy to  $\pm 1\frac{1}{2}^{\circ}\text{F}$ . You will achieve a better comfort level with a reduced temperature swing as compared to economy models. The rounded corners give a modern appearance while the large knob allows for easy adjustment. The standard color is white with limited models in almond (-A). Add (-T) for models that include a room thermometer.

MODEL	UPC #093319 PART #	TYPE	POLES	PACKAGING	COLOR	AMPS 120-240	AMPS 277	TEMP. RANGE
HE-1	19063	Euro Style, Anticipated	Single	Box (50 pieces)	White	22	18	45°F - 75°F
HE-1A	19064	Euro Style, Anticipated	Single	Box (50 pieces)	Almond	22	18	45°F - 75°F
HET-1	19069	Euro Style, Anticipated w/ thermometer	Single	Box (50 pieces)	White	22	18	45°F - 75°F
HET-1R	19070	Euro Style, Anticipated w/ thermometer	Single	Clamshell* (10 pieces)	White	22	18	45°F - 75°F
HE-2	19066	Euro Style, Anticipated	Double	Box (50 pieces)	White	22	18	45°F - 75°F
HE-2A	19067	Euro Style, Anticipated	Double	Box (50 pieces)	Almond	22	18	45°F - 75°F
HET-2	19071	Euro Style, Anticipated w/ thermometer	Double	Box (50 pieces)	White	22	18	45°F - 75°F
HET-2R	19072	Euro Style, Anticipated w/ thermometer	Double	Clamshell* (10 pieces)	White	22	18	45°F - 75°F
HE-1-25	19465	Euro Style, Anticipated	Single	Box (50 pieces)	White	25	22	45°F - 75°F
HE-2-25	19166	Euro Style, Anticipated	Double	Box (50 pieces)	White	25	22	45°F - 75°F

\* a master pack of 4 - 10 packs is available (40 units total)

### SPECIFICATIONS

Temperature Range: 45°F to 75°F (7°C to 24°C)

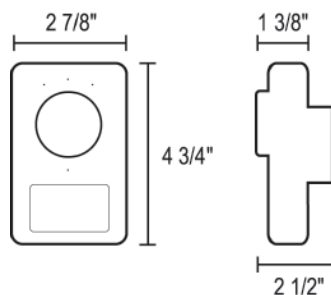
Display: 5° increments

Rate: 2 cycles per hour

Accuracy:  $\pm 1\frac{1}{2}^{\circ}\text{F}$

Power Source: 120 VAC,  
208VAC - 240VAC,  
277 VAC  
50 - 60Hz

Dimensions:



### FEATURES

- Save up to 10% on heating costs.
- Even temperature settings.
- Internal heater simulates room heater warming up space.
- Faster cycle rate reduces temperature swings.
- Rounded face gives modern appearance.
- Complies with all energy codes requiring anticipated thermostats.
- Single or double pole (positive off) available.
- Optional thermometer on cover shows temperature.
- White color with gray print.
- Fully vented cover allows air sensing in all directions.
- Large knob allows easy adjustment to all temperatures.
- 75°F (24°C) maximum setting provides compliance with some state energy codes, like California's Title 24.

### TECHNICAL

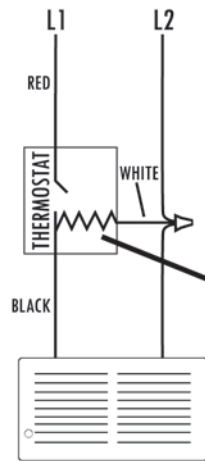
- 22 Amps at 240V, 5,280 Watts.
- Three wire installation.
- Snap action switch.
- Flexible wire leads.
- 45° to 75°F (7°C - 24°C).
- Anticipated (resistor style).
- Large bi-metal sensor.
- 120/208/240/277 Volts.
- New rounded styling.
- (T) - designates thermometer.
- Meets most energy codes  $\pm 2^{\circ}$ .
- For use on all types of electric heaters, fan-forced, baseboard, radiant, etc.

# BETTER • LINE VOLTAGE

## EURO STYLE ANTICIPATED SINGLE OR DOUBLE POLE LINE VOLTAGE (CONTINUED)

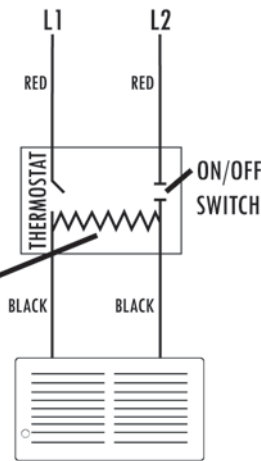
### WIRING DIAGRAM

#### HE-1 / HE-1-25



HEATER  
UP TO 5820 WATTS

#### HE-2 / HE-2-25



HEATER  
UP TO 5820 WATTS

### INSTALLATION

This line voltage device should be installed and serviced by a qualified electrician. The thermostat has been designed to mount to a standard 2" X 4" electrical outlet box. Leveling of the thermostat is not required. Mounting screws are provided. Mount the thermostat about five feet above the floor in an area with good air circulation. Avoid mounting the thermostat where it will be affected by drafts, air from ducts, and radiant heat sources such as appliances, the sun, lamps or hot water pipes.

### NOTES

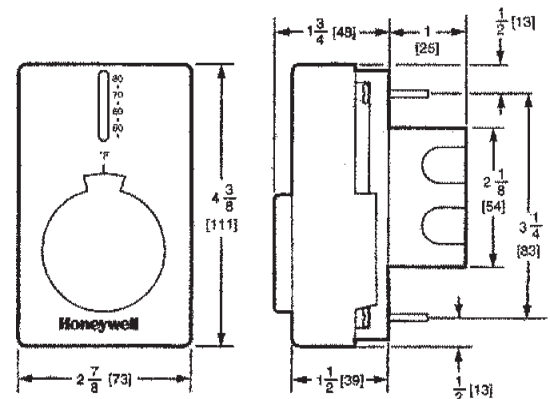
- After about 7 years thermostats will not be as accurate as when they were new. Replacing them with a new anticipated model will reduce the temperature swings that are common with older stats.
- Thermostats should be mounted on an inside wall for best performance.
- Mounting above a fan wall heater will not hinder the performance of a high quality thermostat.
- Keep lamps or any other form of heat (such as in-wall hot water pipes or the sun) away from the thermostat location for the most accurate control of a zone or space.

## T4398 - DUAL DIAPHRAGM SINGLE POLE OR DOUBLE POLE THERMOSTAT



- The T4398 thermostat provides precise temperature control of resistance-rated electric baseboard heating equipment with minimum droop. The T4398 controls room temperature within 2°F (1°C), regardless of the load of the baseboard heater.
- The vapor-filled dual diaphragm sensing element is more sensitive to temperature changes than a bi-metal sensor. This accuracy, usually associated with low voltage thermostats, is now available for line voltage control.
- Electric heat thermostats are often affected by the heat generated in the control. Temperature control points may vary or droop 2° to 4°F (1° to 3°C) depending on the load demand. Temperature settings are adjusted to offset this. The T4398 provides precise control with minimum droop. This allows better control of room temperatures from day to night and season to season thus saving energy.

MODEL	UPC #093319 PART #	TYPE	COLOR	AMPS	TEMP. RANGE
T4398A1021	19130	Single Pole Single Throw Dual Diaphragm (Seattle Code approved)	White	22	50°F - 80°F
T4398B1029	19131	Double Pole Single Throw Dual Diaphragm (Seattle Code approved)	White	22	50°F - 80°F



# BETTER • LINE VOLTAGE

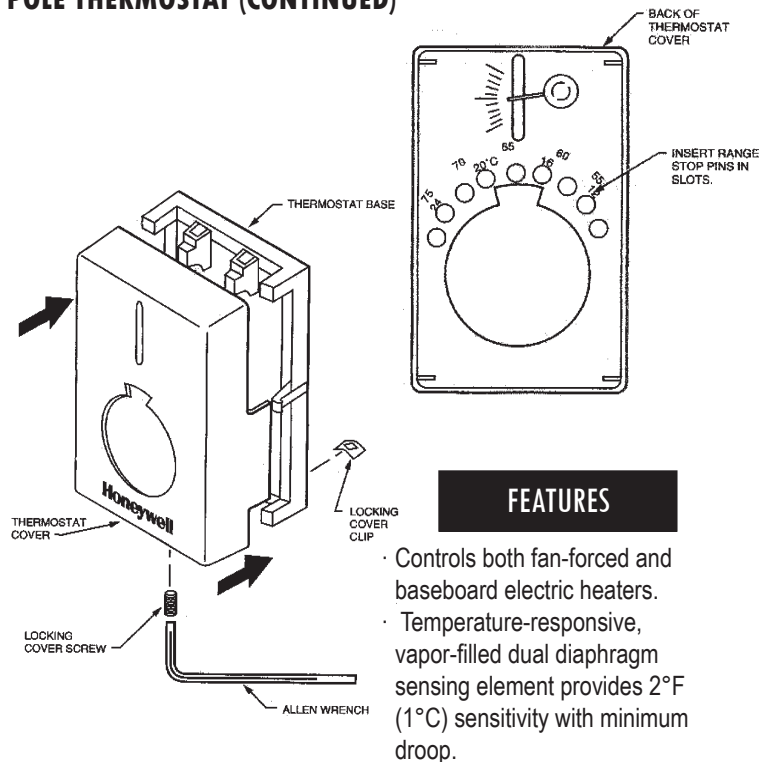
## T4398 - DUAL DIAPHRAGM SINGLE POLE OR DOUBLE POLE THERMOSTAT (CONTINUED)

### SPECIFICATIONS

Temperature Range: 50°F to 90°F (10°C to 32°C)  
 Wiring Connections: 6" (150mm) copper leadwires, suitable for connecting to aluminum wiring if approved special service CO/ALR connectors are used  
 Sensing Element: Vapor-filled dual diaphragm  
 Set Point Adjustment: Dial on front of thermostat  
 Barometric Sensitivity: 1°F/500ft (0.5°C/kPa)  
 Accuracy: ±2°F 120VAC  
 Power Source: 208VAC - 240VAC, 50 - 60Hz

### RECALIBRATION

- Note the temperature difference between the thermostat setting and the thermometer.
- Turn the setting dial clockwise until the switch makes (click sound).
- Firmly hold the setting dial with one hand. Using the other hand, turn the outer scale ring counterclockwise until the 12 o'clock position of the scale ring is the same temperature as the cover thermometer.
- Wait five minutes and recheck the calibration.



### FEATURES

- Controls both fan-forced and baseboard electric heaters.
- Temperature-responsive, vapor-filled dual diaphragm sensing element provides 2°F (1°C) sensitivity with minimum droop.

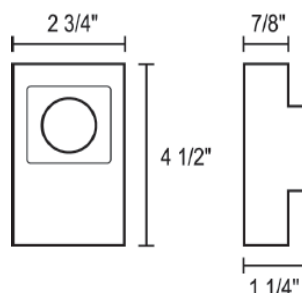
## 1A65-641 & 1A66-641 - HYDRAULIC CONTACT ACTION SINGLE POLE OR DOUBLE POLE THERMOSTAT (NOT FOR FAN HEATERS)



MODEL	UPC #093319 PART #	TYPE	RESISTIVE (NON-INDUCTIVE)	TEMP. RANGE
1A65-641	19039	Single Pole Hydraulic Contact Action	22 Amps, 2500W, 120VAC 22 Amps, 5000W, 240VAC 18 Amps, 5000W, 277VAC	40°F - 85° F
1A66-641	19042	Double Pole Hydraulic Contact Action	22 Amps, 5000W, 240VAC 18 Amps, 5000W, 277VAC	40°F - 85° F

### FEATURES

- 1A66-641 is a double-pole disconnect model with "OFF" position which mechanically breaks both sides of line.
- U.L. listed and C.S.A. certified.



### NOTES

Hydraulic action thermostats are a slow make and break contact typically used on baseboard and radiant ceiling heat. These thermostats are not recommended for use on fan heaters due to contact chattering that can be annoying listening to fan start and stop.

Sometimes at the end of their life cycle, these thermostats will arc inside causing TV & radio interference. When this occurs they should be replaced immediately.