

RADIANT HEATER CONTROL

PERCENTAGE TIMER/THERMOSTAT - HEATING OR COOLING

The TA315 combines heating thermostat operation with percentage timer operation for heating or cooling.

EXAMPLE: When the control is configured for 10 minute time cycle duration and the timer knob is set to 20%. On time, the control activates the timer when there is a temperature demand. The timer will turn the output On 2 minutes, Off 8 minutes, until the ambient temperature satisfies the setpoint. When the temperature setpoint is satisfied the output is Off.

MODEL	UPC #093319 PART #	TYPE	AMPS	TEMP. RANGE
TA315	19153	Percentage Timer/Thermostat - heating or cooling	20	40 - 110°F (5 - 43°C)

SPECIFICATIONS

Input Voltage: 85 VAC to 265 VAC, 50Hz/60Hz

Output Load: 20 Amps/1HP @ 120 VAC,
20 Amps/2HP @ 240 VAC,
120/240 VAC,
Pilot Duty 125 VA

Thermostat Range: 40°F - 110°F (4°C - 43°C)

Thermostat Accuracy: ±2°F (1°C) at 85°F (29°C)

Time Cycle Duration: 5 minute or 10 minute

Percentage On Time: 10% to 90%

Timer Accuracy: Cycle time ±5%

On/Off Differential: 2°F (1°C) nominal

Housing: U.L. Listed N.E.M.A. 4X

TIMER FEATURES

- Percentage on time regulated output 5 or 10 minute time cycle.
- Regulates the percentage of on time for a preset cycle of 5 or 10 minutes.

THERMOSTAT FEATURES

- Temperature regulated output.
- Heating configuration.
- Temperature regulation from 40 to 110°F (4°C to 43°C)



TA315

SUGGESTED CONTACTORS

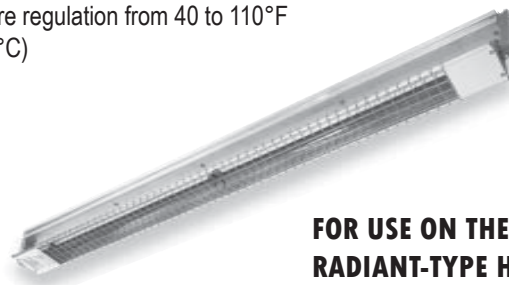
- Quiet M.D.I. contactors
- 3-Pole (35 Amps per pole - 208/240V coil) part # 335NO-22AT-18
- 1-Pole (35 Amps - 208/240V coil) part # 35NO-220AT



Mercury contactor
part # 35NO-220AT

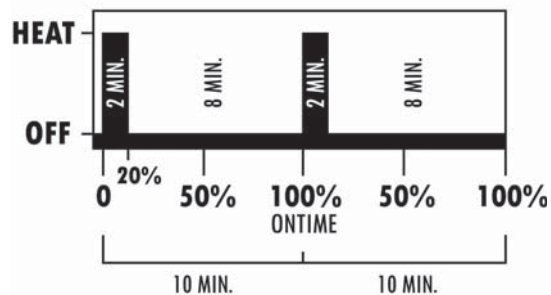


Mercury contactor
part # 335NO-220AT-18



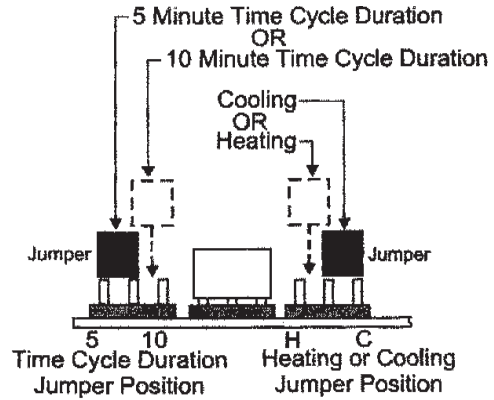
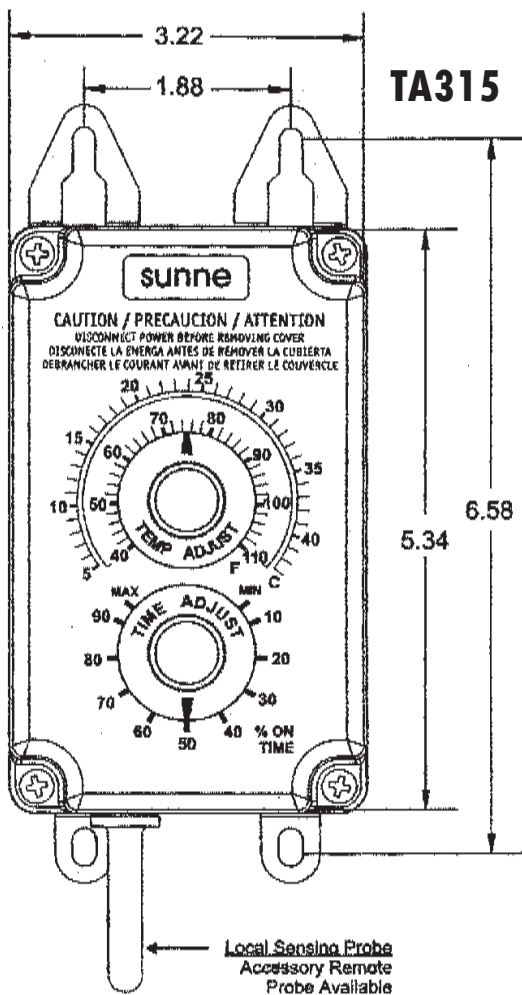
FOR USE ON THE KING OKB RADIANT-TYPE HEATER

EXAMPLE OF 10 MINUTE INTERVAL

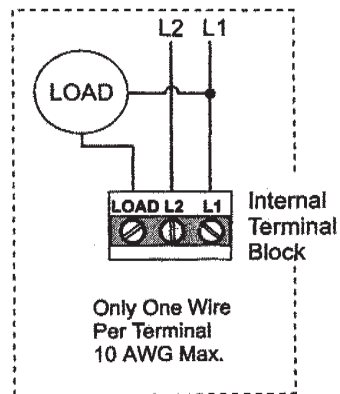


RADIANT HEATER CONTROL

PERCENTAGE TIMER/THERMOSTAT - HEATING OR COOLING (CONTINUED)



INTERNAL JUMPER CONNECTIONS



WIRING DIAGRAM SINGLE HEATER

