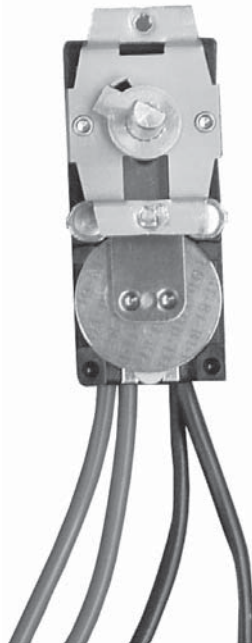


IN-BUILT LINE VOLTAGE

USED ON WALL UNITS, BASEBOARDS, COVE UNITS, UNDER CABINETS, BATH HEATERS, PORTABLES, ETC.



SINGLE POLE



DOUBLE POLE
(positive off)

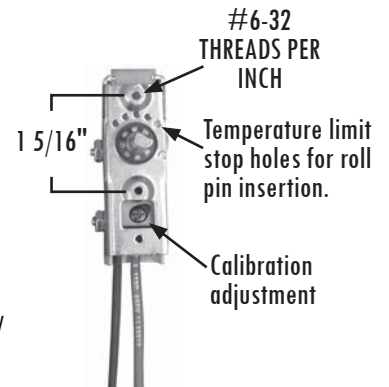
ELECTRICAL RATING CHART

VOLTS	WATTS	AMPS
120	2530	22
208	4576	22
240	5280	22
277	6094	18

SPECIFICATIONS

Control Range:
45°F to 80°F (7°C - 27°C)
Maximum Amps: 22 Amps
Power Source: 125 VAC
250 VAC
277 VAC

Sensing Element:
Snap action switch with fully
protected bi-metal sensor
UL Recognized



USE IN MODEL KIT: (short shaft #27)	
MODEL	UPC #093319 PART #
BKT1	11496
EFT1	19445
U-Series (Pumphouse)	

USE IN MODEL KIT: (short shaft #138)	
MODEL	UPC #093319 PART #
BKT2	11502
EFT2	19448

USE IN MODEL KIT: (long shaft #28)	
MODEL	UPC #093319 PART #
WT1	12736
PT1	16306
WHT1	12099
KT1	12298
SLT1	19562

USE IN MODEL KIT: (long shaft #199)	
MODEL	UPC #093319 PART #
WT2	12739
PT2	16307
WHT2	12102
KT2	12301
SLT2	19564

DESIGN FEATURE SPECIFICATIONS

SNAP ACTION SWITCHING: Instant, positive response. No arcing. No burning of contacts to shorten switch life. No TV snow, no radio static. Enclosed for protection against dirt and corrosion.

BI-METAL SENSING ELEMENT: This sensitive element dependably registers the temperature change. Fully protected.

VENTED FRAME: Top and bottom to maintain normal temperature in outlet box.

AIR PASSAGE: No obstruction of air across bi-metal sensor.

FACTORY SEALED and CALIBRATED: Engineered for accurate, dependable performance. Field adjustment not required.

ENCLOSED TERMINALS: To prevent contact with grounded faces.

RATING: 22 Amps continuous at 125, 240 Volts AC. Non-inductive.
18 Amps continuous at 277 Volts AC. Non-inductive.

RANGE: 45° to 80°F

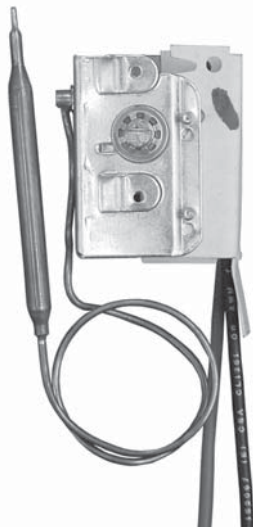
AVERAGE DIFFERENTIAL: Approximately 5°F at 50% of rated load.

CYCLE RATE: Approximately 2 - 4 per hour at 50% of rated load.

LIMIT STOPS (single pole only): Maximum temperature can be set by insertion of a pin.

IN-BUILT LINE VOLTAGE

CAPILLARY TUBE STYLE



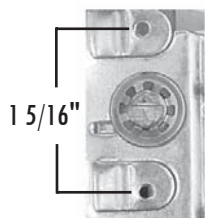
TWO WIRE
single pole
maximum temperature 105° F



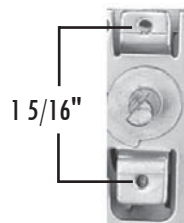
THREE WIRE
single pole
maximum temperature 107° F

Part # 275-2822-00 C1-25
SERIES
KB
KCC
KC
KCF
KFUH

Part # 275-5011-00 C1-25
SERIES
LPW
KBP



1 5/16"



1 5/16"

ELECTRICAL RATING CHART

VOLTS	WATTS	AMPS
120	3000	25
208	5200	25
240	6000	25
277	6925	22

SPECIFICATIONS

Control Range:
40°F to 90°F (4°C - 32°C)

Power Source: 125 VAC
240 VAC
277 VAC

Switch Action: Single Pole,
Single Throw,
make on
temperature rise

Differential: 2°F

Ratings: Non-inductive
25 Amps @ 120VAC
25 Amps @ 240 VAC

Mounting: 6-32 threaded holes
on 1 5/16" (33mm) centers
Shaft: Type 1 (clockwise to raise
temperature setting)

Sensor: Liquid-filled capillary
and bulb

Capillary length: 3 wire: 4 1/16"
2 wire: 3 1/2"

Bulb diameter: 3 wire: 5/16"
2 wire: 1/4"

Weight: .3 lbs/.14kg (single pole)
Lead Wires: 125°C 14AWG
UL File: E16835

DESIGN FEATURE SPECIFICATIONS

SNAP ACTION SWITCHING: Instant, positive response. No arcing. No burning of contacts, to shorten switch life. No TV snow, no radio static. Enclosed for protection against dirt and corrosion.

LIQUID-FILLED SENSING ELEMENT: This extra sensitive remote capillary bulb dependably and accurately registers the slightest temperature change instantly.

VENTED FRAME: Top and bottom to maintain normal temperature in outlet box.

AIR PASSAGE: No obstruction of air across bi-metal sensor.

FACTORY SEALED and CALIBRATED: Engineered for accurate, dependable performance. Field adjustment not required.

ENCLOSED TERMINALS: To prevent contact with grounded faces.

RATING: 25 Amps continuous at 120, 208, 240 Volts AC. Non-inductive.
22 Amps continuous at 277 Volts AC. Non-inductive.

MAXIMUM RANGE: 40° to 117°F (4°C - 47°C)

AVERAGE DIFFERENTIAL: Approximately 5°F at 50% of rated load.

CYCLE RATE: Approximately 2 - 4 per hour at 50% of rated load.